

NORTH SHORE INDUSTRIAL WHEEL MANUFACTURING



Agricultural Wheels

► *Keeping Our Customers Rolling*

► Wheels at Work

Wheels available for all your agricultural and forestry applications



Whether you're into construction, farming or forestry. We offer a full line of aftermarket replacement, OEM or specialty wheels manufactured to meet your requirements.

► Introducing the Quick Link Dual Wheel System

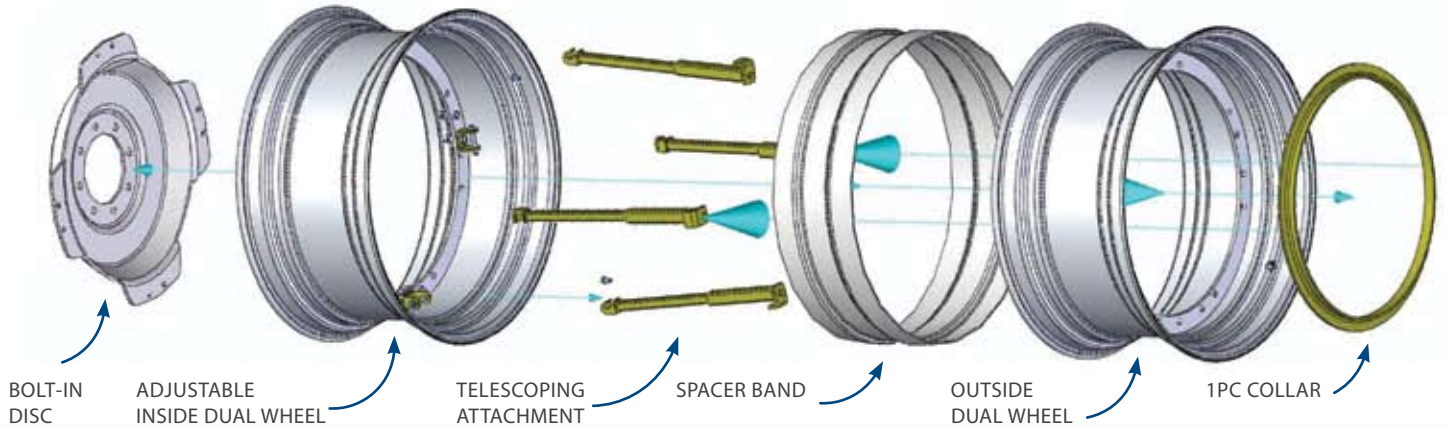
Dual Wheel sizes available

24xW12	38xDW15L	28xW18L	38xDW23A
24xW15	38xDW16L	30xDW15L	42xDW18L
28xW12	38xDW18L	30xDW16L	42xDW20A
28xW15L	38xDW20A	34xDW15L	42xDW25A



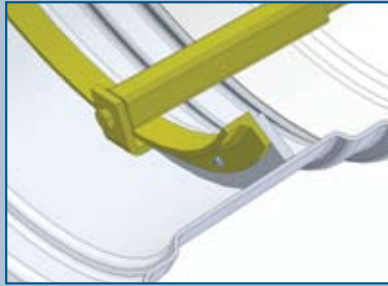
► Quick Link Dual Wheel System

Duals available as a complete package, inside & outside wheels or
Outside only packages to install on your existing inside wheels

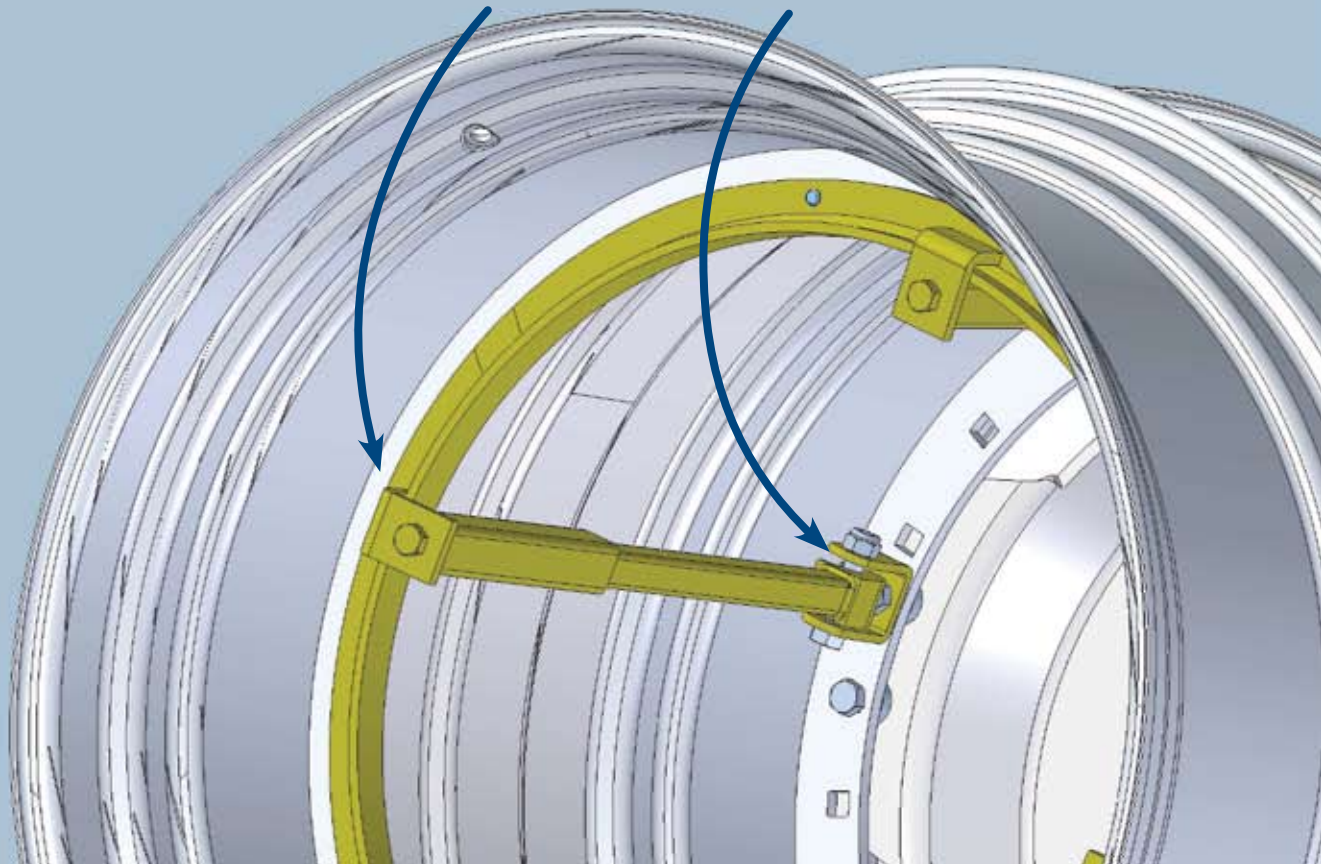
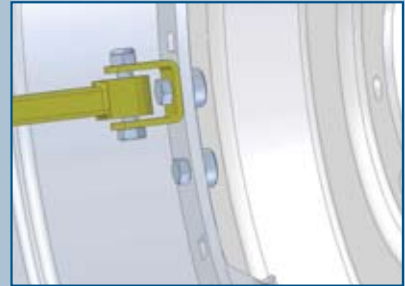


► Attachment Detail

Inside Dual



Outside Dual



► Tractors, working machines W and DW wheels

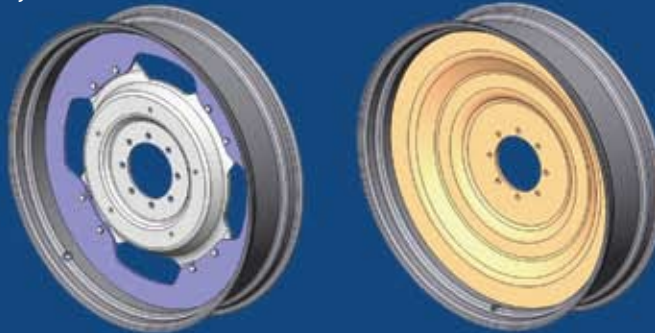
Wide variety of fixed and adjustable W/DW wheels available.

Manufactured to meet your requirements

Irrigation & Row Crop Wheels

"Adjustable"

"Fixed"



Sizes Available

30xW13	46xW10
32xW8	46xW12
32xW10	48xW8
36xW8	48xW10
36xW10	48xW12
44xW8	52xW10
44xW10	

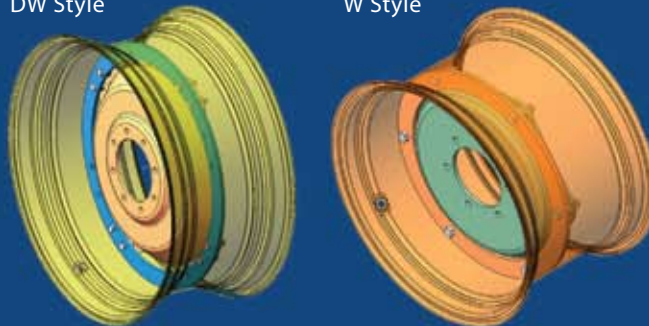
Sizes Available

24xW12	38xDW15L
24xW15	38xDW16L
28xW12	38xDW18L
28xW15L	38xDW20A
28xW18L	38xDW23A
30xDW15L	42xDW18L
30xDW16L	42xDW20A
34xDW15L	42xDW25A

Adjustable W/DW Style Agriculture Wheels

DW Style

W Style



Fixed Disc W/DW Style Wheels

DW Style

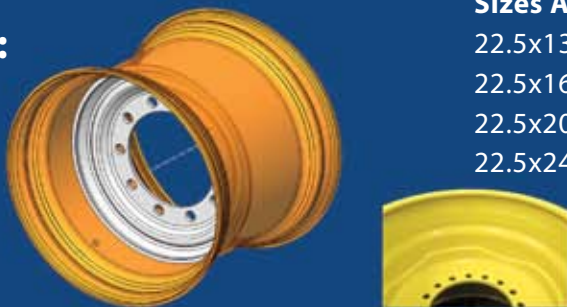
W Style



► Trailers, heavy duty machines 15° wheels

Options:

Wheels are available with bead humps or knurling, valve protector and reinforcing.



Sizes Available

22.5x13	26.5x16
22.5x16	26.5x20
22.5x20	26.5x24
22.5x24	26.5x28
	30.5x20
	30.5x24
	30.5x28

North Shore Industrial Wheel Mfg.

LOCATIONS:

- **(Corporate Headquarters)**
29 Wellington St. E
Sault Ste. Marie, ON
P6A 2K9
Phone: (705) 942-6749
Fax: (705) 942-9791
- 215 River Road
Sault Ste. Marie, ON
P6A 6C3
Phone: (705) 942-8484
Fax: (705) 942-8400
- 1818 Old Falconbridge Road
Sudbury, ON
P3A 4R7
Phone: (705) 524-2053
Fax: (705) 524-5656
- 80 Norwich Ave., #3
Woodstock, ON
N4S 8Y6
Phone: (519) 421-2208
Fax: (519) 421-3768
- **OTR Montreal**
16803 Hymus Blvd
Kirkland, Quebec
H9L 3L4
Phone: (514) 426-4338
Fax: (514) 426-5677